

Input Volt..

5VDC, 12VDC, 15VDC, 24 VDC, etc.

Output Volt.

3.3VDC, 5VDC, 9VDC, 12VDC, 15VDC, 18VDC, 24 VDC, etc.

For other special requirements, please notify us.

ISO9001:2008

General Parameters

All the specifications below are measured at TA=25° C, nominal input voltage and rated output current unless otherwise specified.

Input Characteristics

Voltage Range +/- 10 %
 Filtering Ceramic capacitors

Isolation Characteristics

Rated Volt. 1000 VDC
 Leakage Current 1 mA
 Resistance 10⁹ Ohm
 Capacitance 60 pF typ.

Output Characteristics

Volt. Precision +/- 5 %, max.
 (20 MHz BW) Ripple&Noise 100mV p-p, max.
 Continuous Short-circuit Protection Instantaneous(<1s)
 Linear Volt. Calibration +/- 1,2 % / 1,0 % of Vin
 Load Volt. Calibration +/- 8 %, load = 20 ~ 100 %
 Temperature Drift +/- 0,02 % / °C

General Characteristics

Efficiency 75 % to 85 %
 Switching Frequency 80 KHz, typical

Environmental Characteristics

Operating Temp. (Environmental) - 40° C to + 85° C
 Storage Temp. - 55 °C to + 125 °C
 Decrease Rated Value See temperature characteristics graph
 Humidity ≤ 90 %, Non-condensation
 Cooling Method free air convection

Dimension

SIP Package Size 11.68 x 6.00 x 10.16mm
 0,46 x 0,24 x 0,40 inch
 1.8g

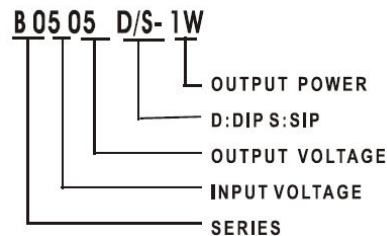
Weight

Case Material

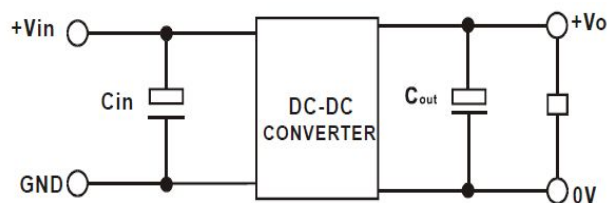
non-conductive flame-retardant black plastic



Product Model Selection



Typical Connection



Note: W1 refers to 0.1Watt, W2: 0.2Watt, W5:0.5Watt.

Typical Product Model List

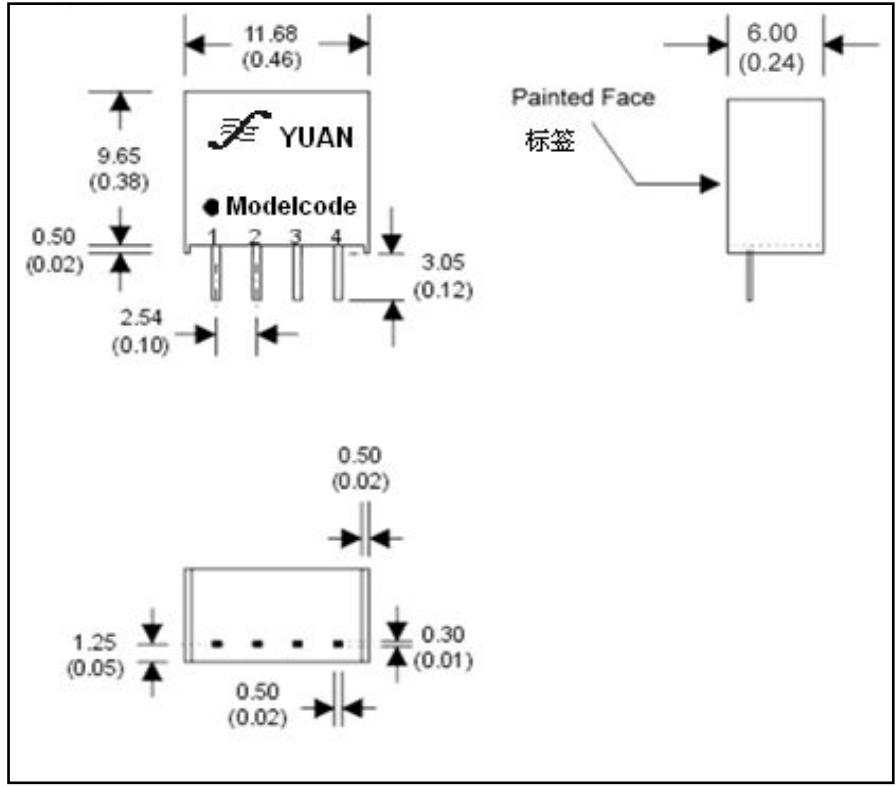
Model No	Input Volt. Vin(VDC)	Input Current No-load (mA)	Input Current Full-load (mA)	Output Volt. Vout (VDC)	Output Current (max.mA)	Efficiency (%Typ.)
B0503S-1W	5	14	363	3.3	303	72
B0505S-1W	5	16	266	5	200	75
B0512S-1W	5	18	254	12	84	70
B1205S-1W	12	11	119	5	200	70
B1212S-1W	12	10	104	12	84	80
B1215S-1W	12	15	107	15	68	78
B2405S-1W	24	5	55	5	200	75
B2412S-1W	24	7	54	12	84	77
B2415S-1W	24	8	55	15	76	76

Model No	Input Volt. Vin(VDC)	Input Current No-load (mA)	Input Current Full-load (mA)	Output Volt. Vout (VDC)	Output Current (max.mA)	Efficiency (%Typ.)
B0503S-W1	5	6	38	3.3	30	72
B0505S-W1	5	6	27	5	20	75
B0512S-W1	5	5	26	12	8	74
B1205S-W1	12	6	26	5	20	74
B1212S-W1	12	5	26	12	8	80
B1215S-W1	12	5	25	15	7	78
B2405S-W1	24	5	21	5	20	75
B2412S-W1	24	5	20	12	8	77
B2415S-W1	24	5	20	15	7	76

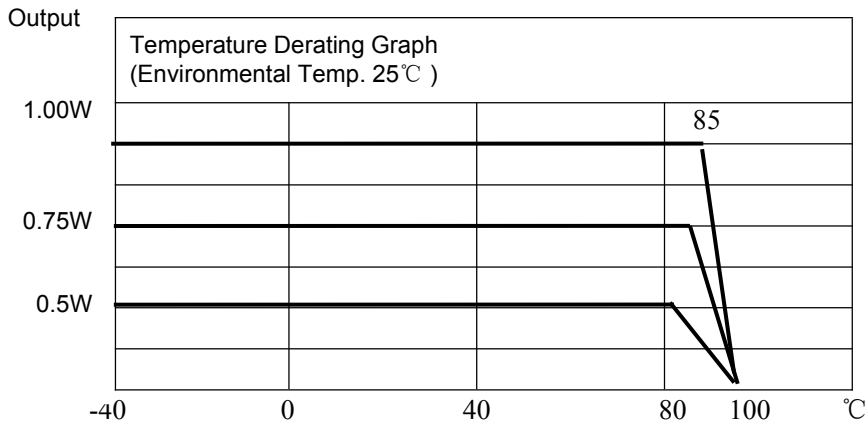
Model No	Input Volt. Vin(VDC)	Input Current No-load (mA)	Input Current Full-load (mA)	Output Volt. Vout (VDC)	Output Current (max.mA)	Efficiency (%Typ.)
B0503S-W2	5	7	90	3.3	75	72
B0505S-W2	5	7	80	5	50	75
B0512S-W2	5	7	80	12	35	74
B1205S-W2	12	7	30	5	50	74
B1212S-W2	12	7	30	12	21	80
B1215S-W2	12	7	30	15	17	78
B2405S-W2	24	7	20	5	50	75
B2412S-W2	24	7	20	12	21	77
B2415S-W2	24	8	20	15	17	76

Model No	Input Volt. Vin(VDC)	Input Current No-load (mA)	Input Current Full-load (mA)	Output Volt. Vout (VDC)	Output Current (max.mA)	Efficiency (%Typ.)
B0503S-W5	5	14	133	3.3	150	72
B0505S-W5	5	16	135	5	100	75
B0512S-W5	5	18	135	12	70	74
B1205S-W5	12	11	59	5	100	74
B1212S-W5	12	10	54	12	42	80
B1215S-W5	12	15	57	15	34	78
B2405S-W5	24	5	29	5	100	75
B2412S-W5	24	7	28	12	42	77
B2415S-W5	24	8	28	15	34	76

Dimension



Temperature Characteristics and PIN Description



Pin	Function Description
1	- Vin Vin-
2	+ Vin Vin+
3	- Vout Vout-
4	+ Vout Vout+

***Note:** The data sheet is subject to change without notice.